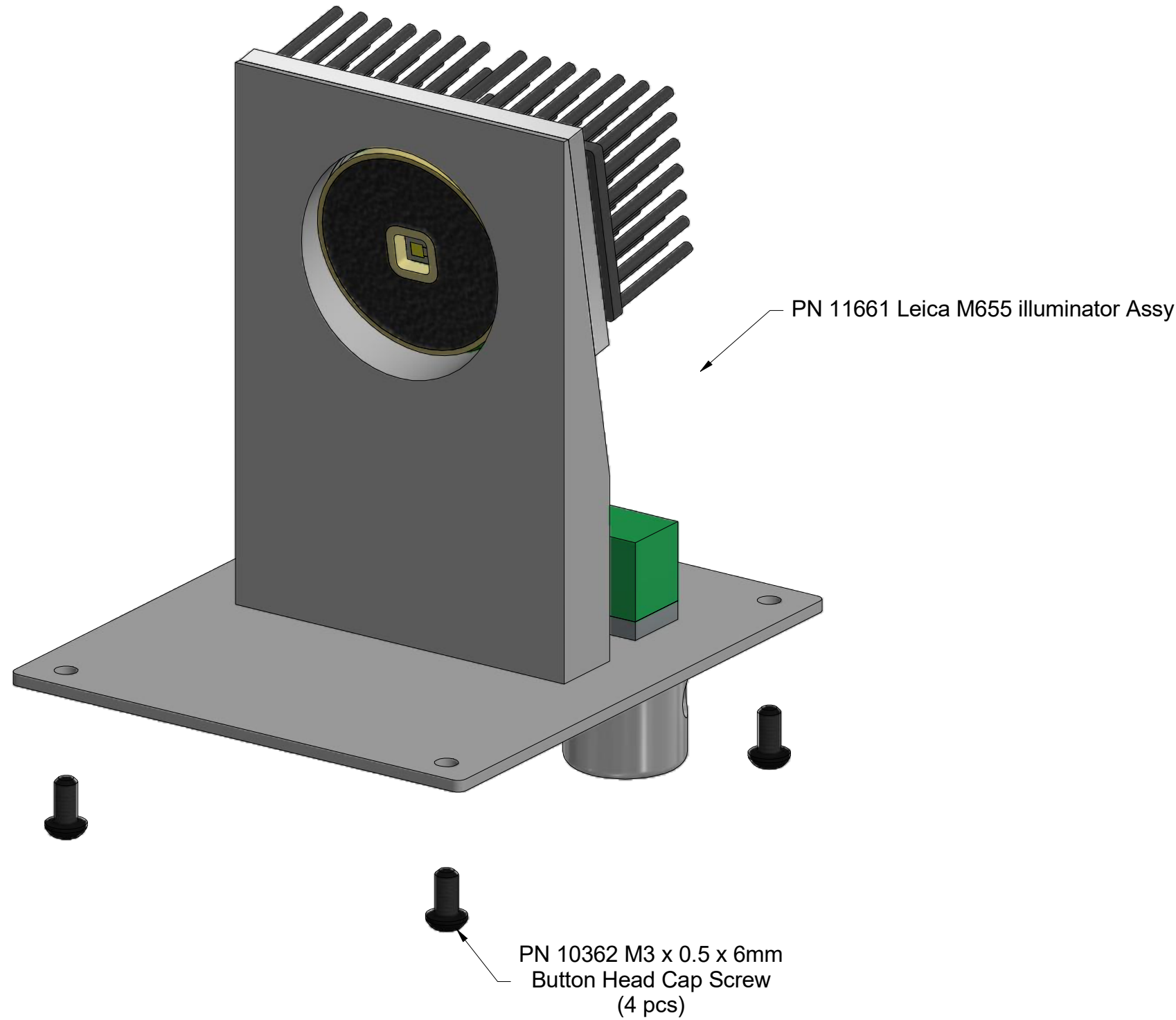


Nanodyne Replacement Illuminator for Leica M655 Surgical Microscope - Installation: Included Items.



Additional Items Included But Not Shown:

PN 10337 Hex Key 2mm short arm (to attach Nanodyne illuminator)

PN 11709 Hex Key 1.5mm long arm (for M2 latch screws)

PN 11115 SHCS M2 x 0.4 x 4mm (2 pcs) (for attaching spring latch to new illuminator base)

The illuminator may be powered by plugging the cable into the power supply provided, or into a suitable USB port on a computer or other device.



PN 11663 Power Supply 5V 2.1A and PN 10734 Power Cable 1.35mm ID/3.5mm OD x USB A 6 ft.



PN 11000 Power Cord Extension 1.35mm ID x 3.5mm OD RA plug to jack 6 foot. (use if needed for more length)

Power supplies are subject to substitution without notice due to availability issues and changes in regulations.

Wayne Bonin	3/19/2020
PN 11708 Leica M655 illuminator Installation	REV 1
SHEET 1	OF 4

Nanodyne Replacement Illuminator for Leica M655 Surgical Microscope - Installation: Step 1. Remove OEM illuminator.



(1) Original microscope, view 1.



(2) Original microscope, view 2.



(3) Lamp power cable.



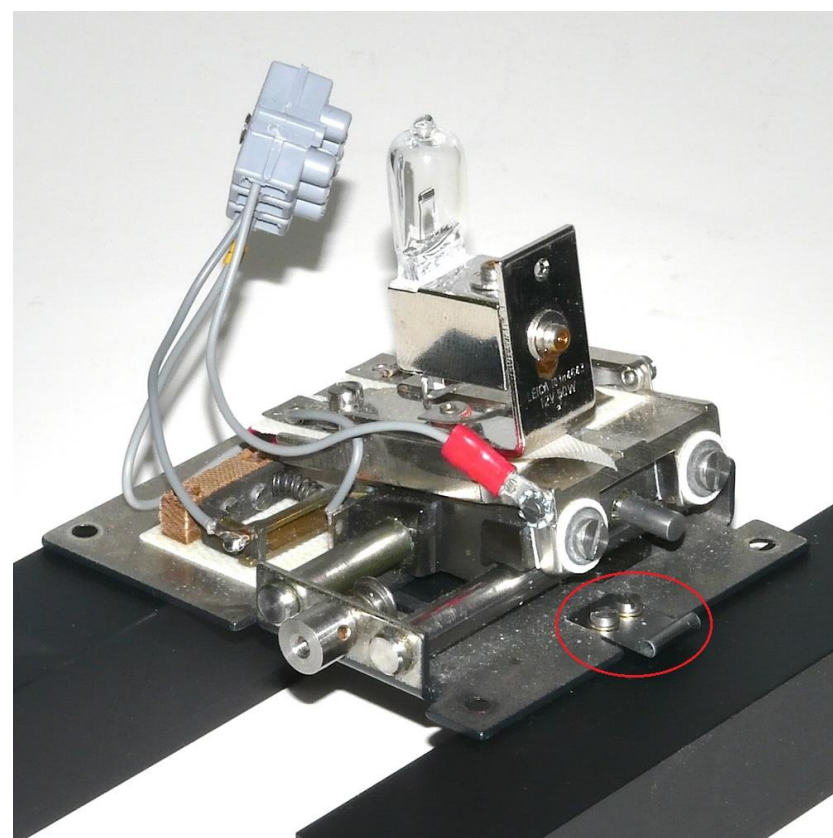
(4) OEM lamp house from back side.



(5) Back cover lifted, lamp holder visible.



(6) Power cord, red circle. Mounting screws, 1 of 4, red arrow.



(7) OEM lamp holder removed from lamp house.

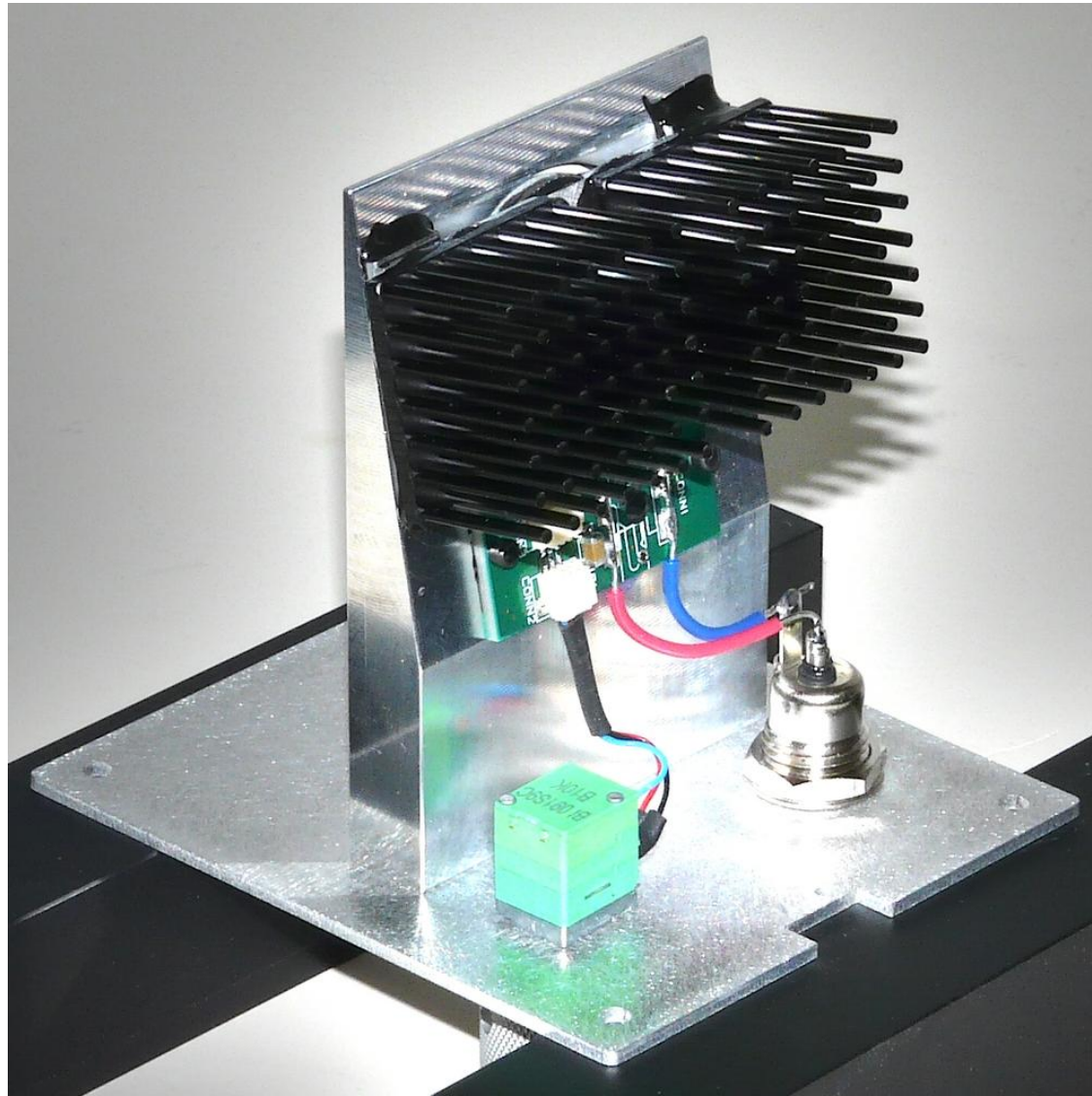


(8) Close up of latch (to be removed). Circled in red, photo at left.

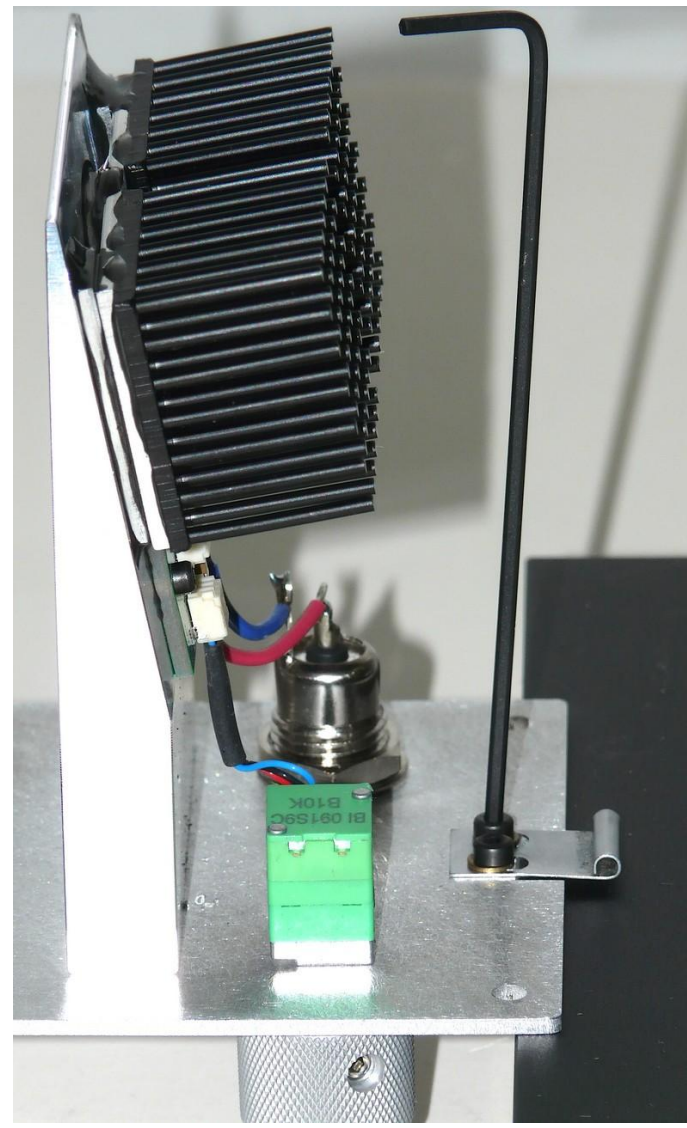
- 1) Remove the AC power cord. It will not be used. (not shown here)
- 2) Disconnect the lamp power cable at the power supply. (photo 3)
- 3) Disconnect the lamp power cord at the lamp. (photo 6) Either disassemble the unit as required to loosen the connections at the terminal block (red circle), or cut the wires as they are no longer needed.
- 4) Remove the lamp holder by removing the 4 screws holding the lamp assembly to the bottom of the housing. (arrow, photo 6) Use a fillips screwdriver.

Wayne Bonin	3/19/2020
PN 11708 Leica M655 illuminator Installation	REV 1
SHEET 2	OF 4

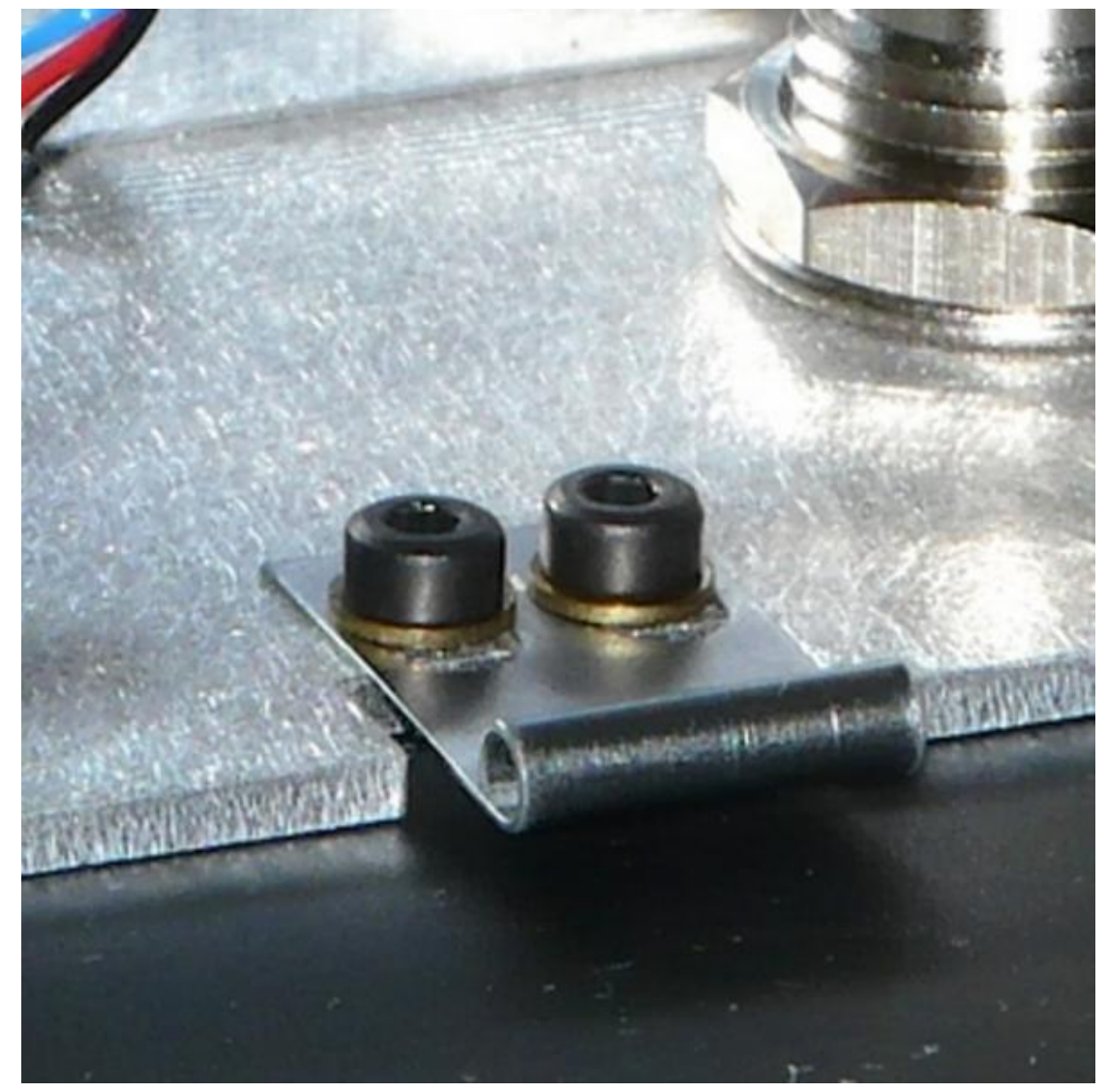
Nanodyne Replacement Illuminator for Leica M655 Surgical Microscope - Installation: Step 2. Transfer Latch to Nanodyne illuminator.



(1) Nanodyne illuminator assembly as received.



(2) Installing OEM latch on illuminator assembly.



(3) Close up of OEM latch with new socket cap screws.

1) Remove the latch from the original illuminator (see photos 7, 8 on sheet 2).

Unscrew the 2 screws using a small flat blade screwdriver (not supplied).

Save the 2 brass washers.

We supply 2 replacement screws that are much easier to install. You don't need to use the original screws unless you want to prove you have the hands of a brain surgeon.

2) Install the latch on the Nanodyne illuminator (photos 2 and 3, this page).

Use the brass washers from the old unit, with the two M2 cap screws supplied. Use the 1.5mm hex key to tighten the screws.

The slots in the latch are a lot bigger than the screws. Try installing it with the latch slots centered around the screws. then adjust if needed to properly engage the cover (photo 4, sheet 2).

The long arm on the hex key is only provided to clear the heatsinks on the illuminator. Do not use the long arm to over-tighten the screws or you could strip the threads in the baseplate.

Wayne Bonin	3/19/2020
PN 11708 Leica M655 illuminator Installation	REV 1
SHEET 3	OF 4

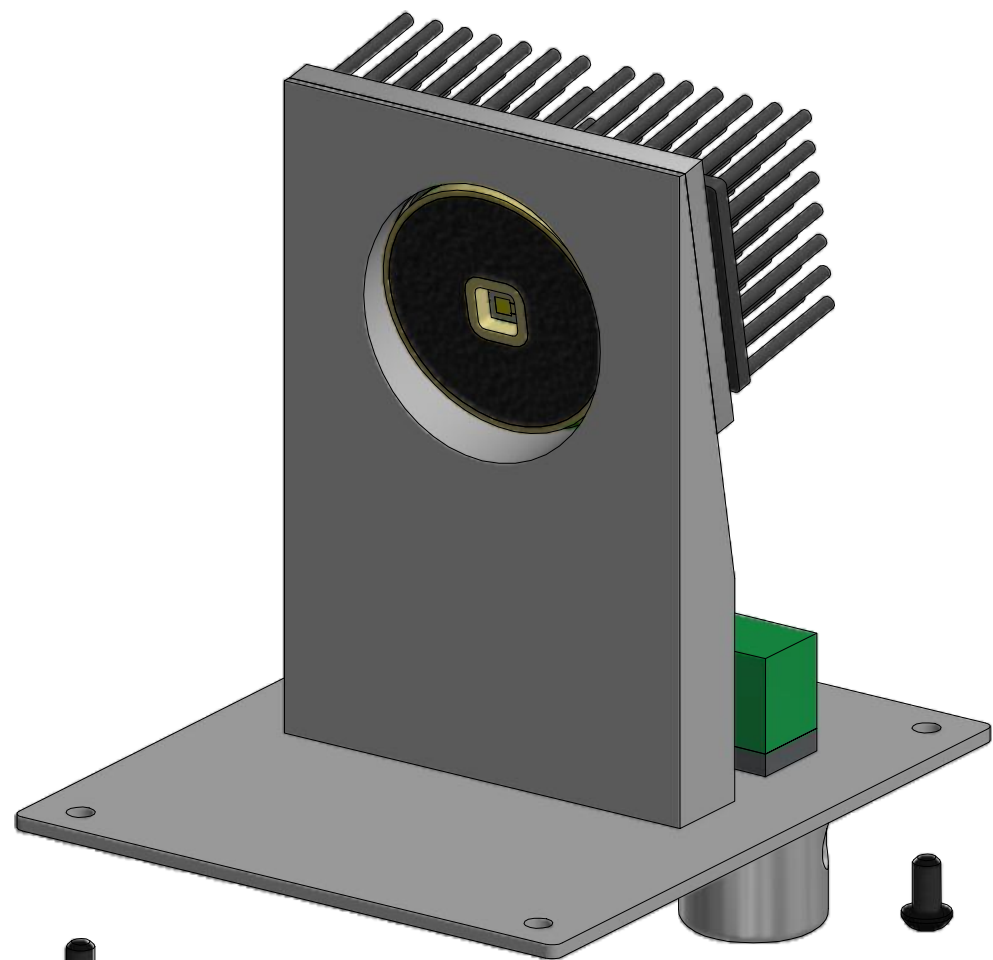
4

3

2

1

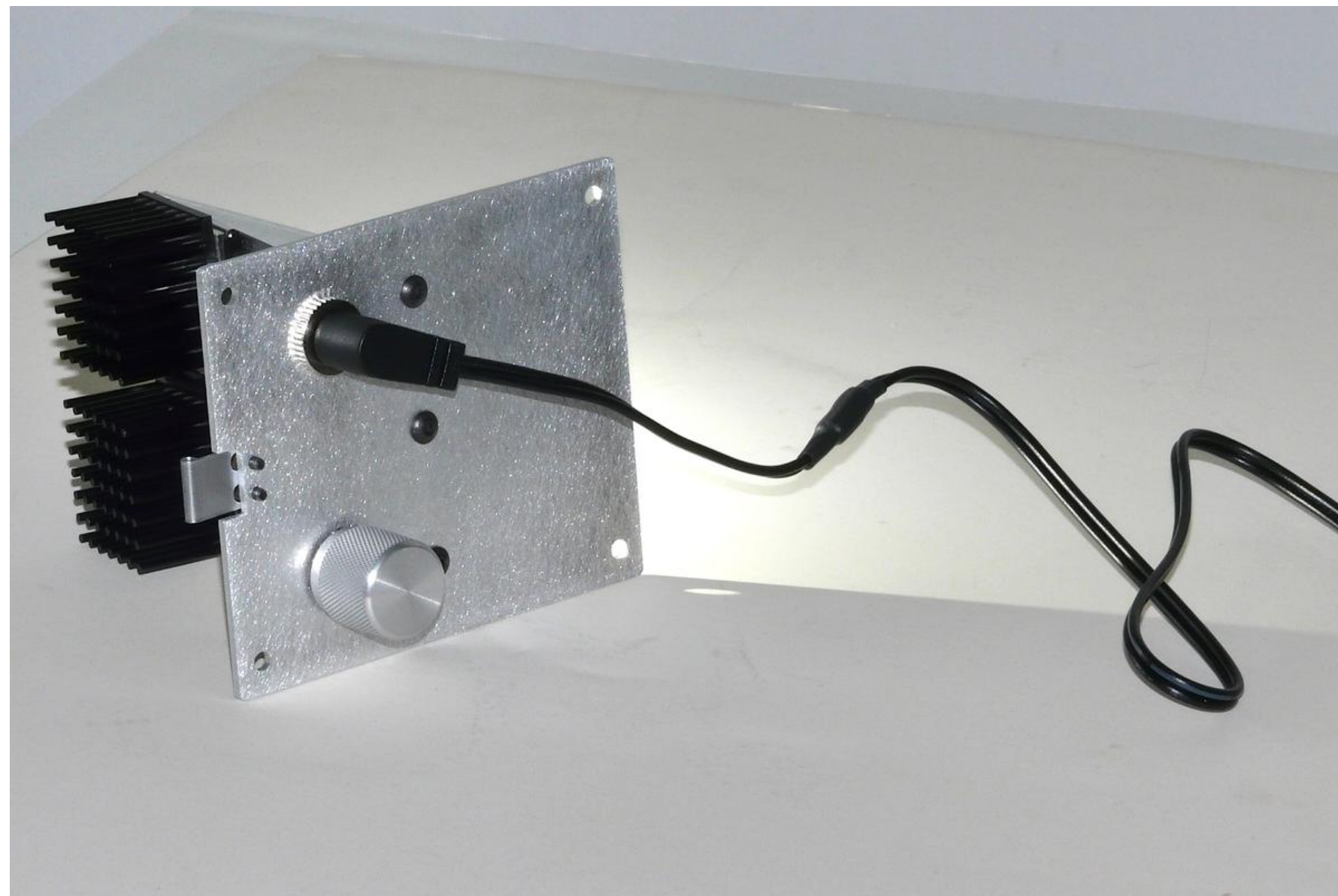
Nanodyne Replacement Illuminator for Leica M655 Surgical Microscope - Installation: Step 3. Attach illuminator and Connect Power Supply.



PN 10362 M3 x 0.5 x 6mm
Button Head Cap Screw
(4 pcs)

1) Attach the illuminator to the bottom of the lamp house just like the original was. Use the 4 screws provided, and the 2mm hex key.

(no photo - we did not have the microscope).



2) After installing the illuminator, connect the power supply to an AC outlet, connect the USB end of the power cord to the power supply and the other end to the illuminator as shown above. Use the extension cord if 6 feet is not enough.

All intensity control is by the knob shown above. It has a tactile click feel in the off position. There is no other switch.

Wayne Bonin	3/19/2020
PN 11708 Leica M655 illuminator Installation	REV 1
SHEET 4	OF 4

4

3

2

1